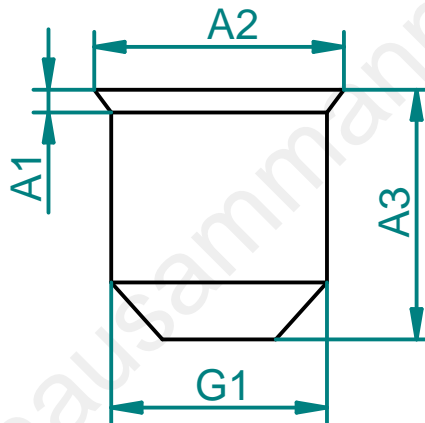

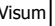



General tolerances ISO 2768-m						Index	Date	Visum	Modification	Index	Date	Visum	Modification
Basic-size	...6	> 6 ...30	> 30 ...120	>120 ...400	> 400 ...1000								
medium	±0.1	±0.2	±0.3	±0.5	±0.8								



Specifications points D,K,H	
D= doc.points	
K= critical	
H= main	

		Material:			
		Stahlblech vernickelt			
		Scale			
		 Date		 Phone	
		plotted 13.07.11		E.Z	
		checked			
		10.104		Solid Edge	
				Format A4	
				Index 00	
Accord-draw.no.:	Origin-draw.no.:	 HAUSAMMANN KOMONENTEN PRODUKTION SYSTEME			
Replacement for:	© 2010, Für dieses Dokument behalten wir uns alle Rechte vor. © 2 010, Nous nous reservons tous les droits sur ce document © 2 010, We reserve all rights in connection with this document				